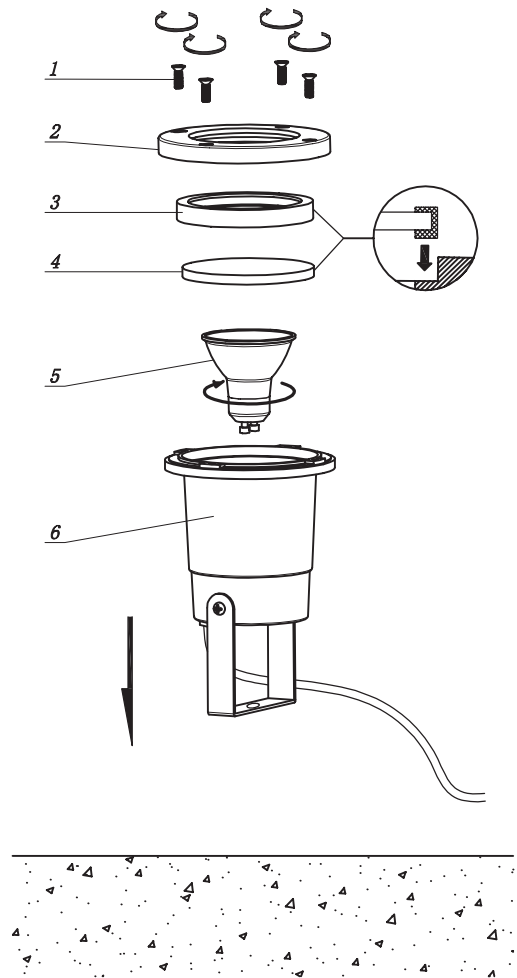
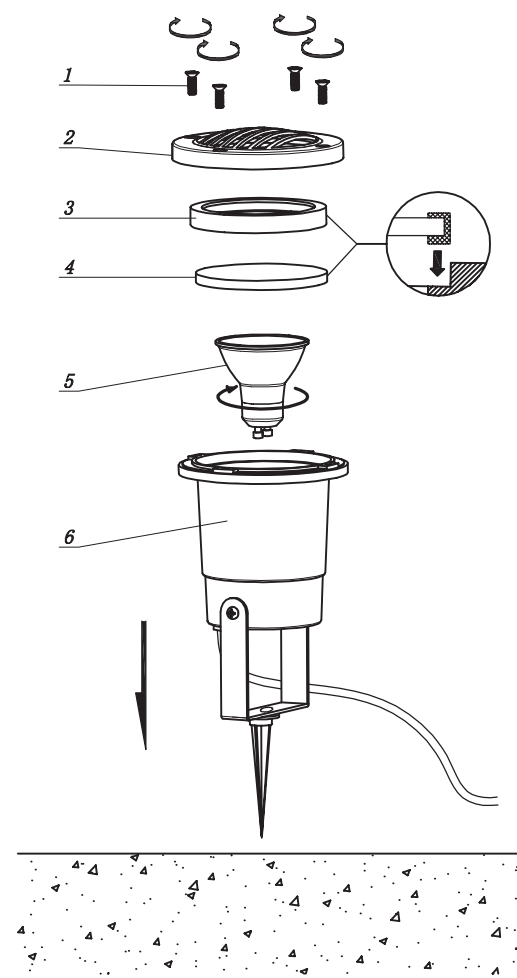


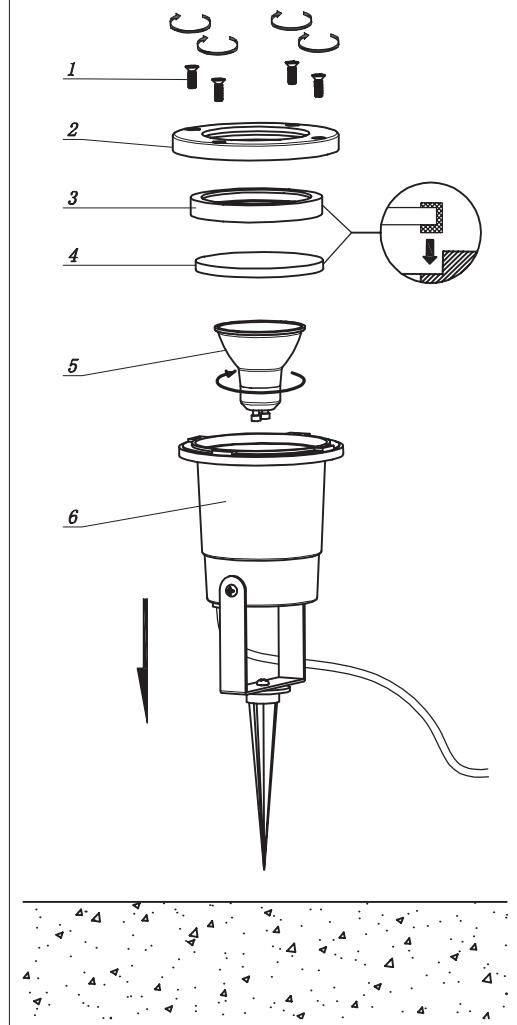
1831-1W



1832-1W



1833-1T



1834-1T