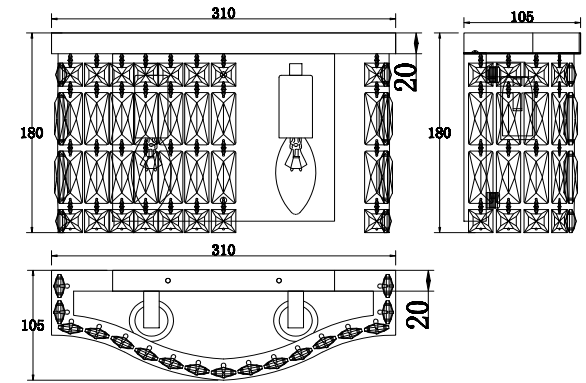
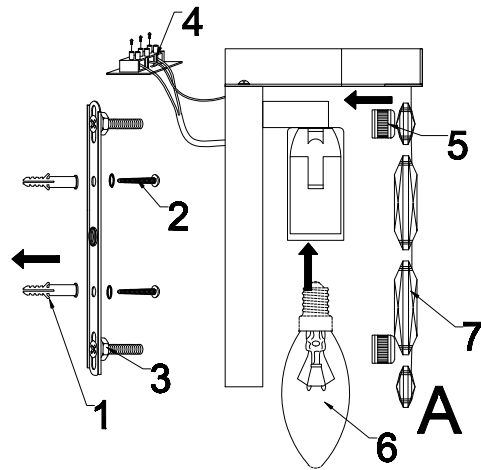


Instruction

DIA005WL-02CH



2 x E14 (60W)

Model: DIA005WL-02CH
Collection: Diamant Crystal
Series: Dune



Wall Lamps